

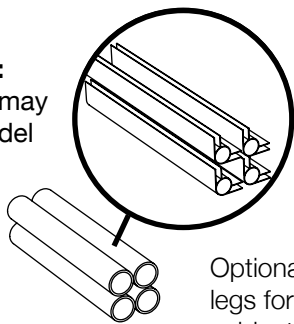
www.luxorfurn.com
www.hwilson.com

Parts List

Tools Required

- Rubber Mallet

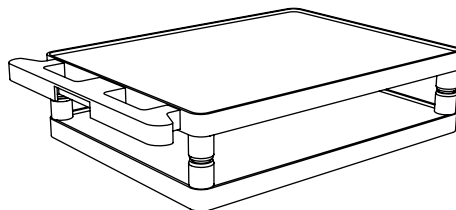
NOTICE:
Leg lengths may vary by model



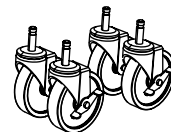
Optional fluted legs for units with cabinet pack

F x4

A x1

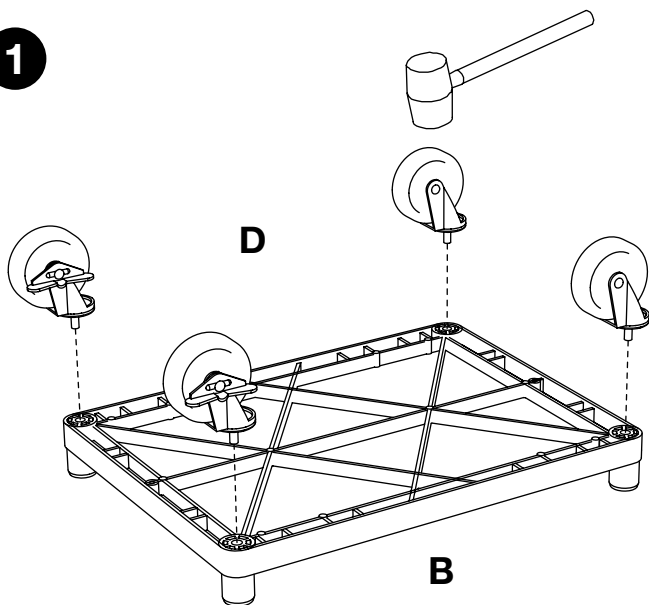


B x1



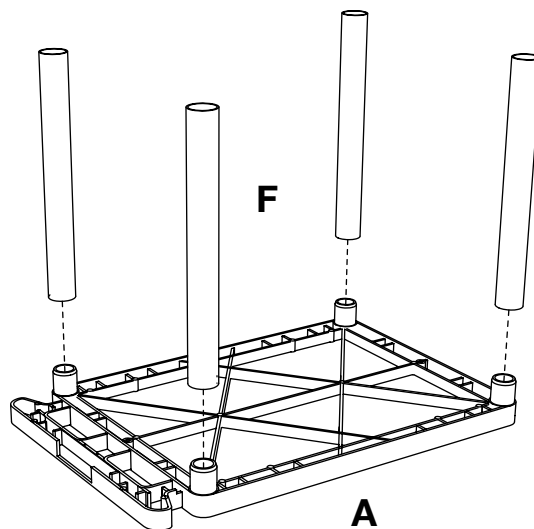
D x4

1

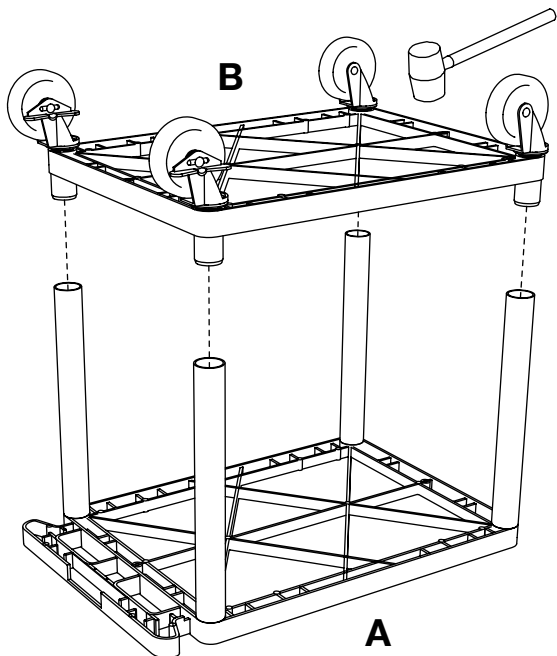


2

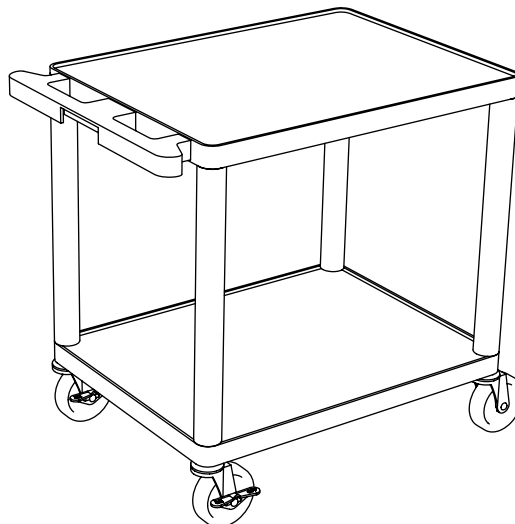
Install optional cabinet pack / pullout shelf / electrical assembly after step 1



3

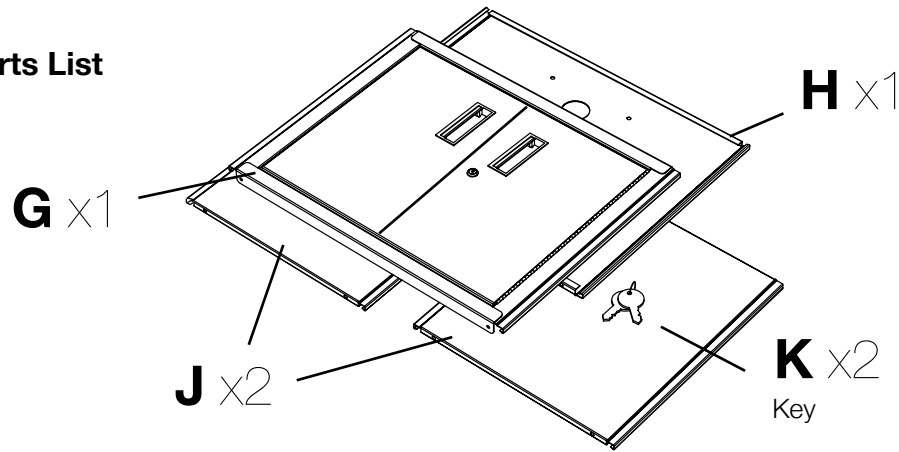


4



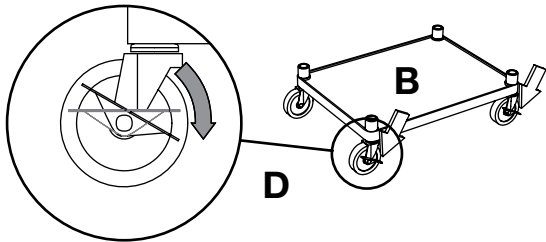
Plastic Cart Cabinet Pack Instructions

Please consult your cart base unit instructions before starting

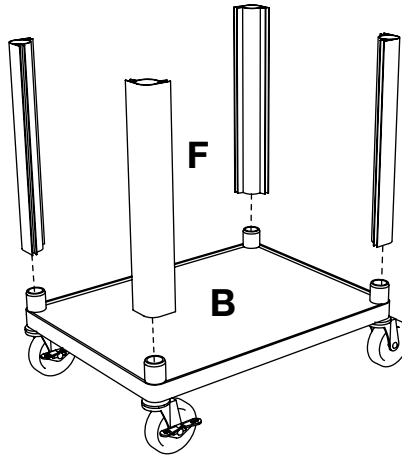


1

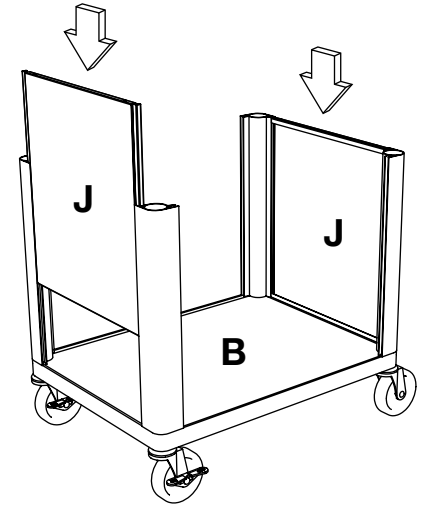
IMPORTANT: Flip shelf **B**, and lock the 2 locking casters **D** before assembling the unit.



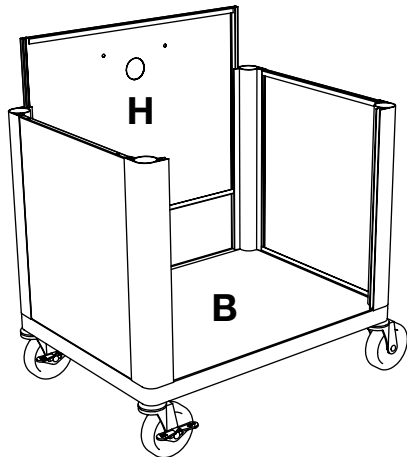
2



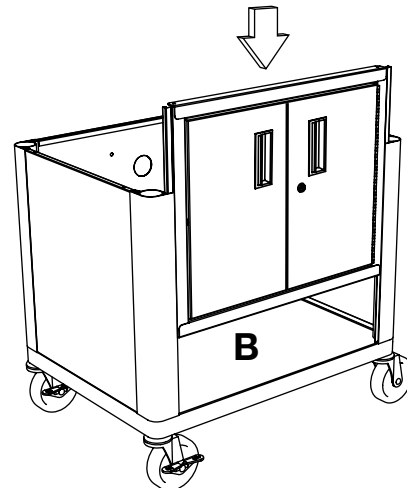
3



4



5



6

